

Test report No.: 21-00082-CP-PR-00
Manufacturer: OKB SP. Z O.O., Poland
Type: OB



Test report
No.: 21-00082-CP-PRG-00

Test of a type of a vehicle
with regard to ECE Regulation No. **14.00**
taking into consideration amendment No. **14.09, Supplement 1**
Approval subject: **Strength of safetybelt anchorages**

Approval status	
Granting of a type approval	N/A
Extension/correction to type approval no.	N/A

Test report only.

Test report No.: 21-00082-CP-PR-00
Manufacturer: OKB SP. Z O.O., Poland
Type: OB



I. **General**

Type OB

Name and address of manufacturer OKB SP. Z O.O.
ul. Szkolna 9, Bukowiec
95-006 Brójce
Poland

Reference number of information folder MOBIFRAME/02/2021-00

Date of issue of information folder 28.09.2021

II. **Test results**

Refer to the Annex

III. **Enclosures**

Information Folder

IV. **Statement of conformity**

The mentioned information folder and the type described therein are in accordance with the test basis mentioned above. Sampling plan or method result from the requirements of the test basis. The worst-case configuration was selected in accordance with process description "Requirements for Test Reports (AS-PB-T-02)". Valid decision rule in accordance with ILAC G8:2019, 4.2.1: in question of meeting the limits the measurement uncertainty was ignored.

The manufacturer is responsible for the information (III.) and the test specimens provided by him. The test results relate only to the test specimens as received and mentioned (II.). The test specimens are representative for the type described (III.).

The test report may be reproduced and published in full and by the client only. It can be reproduced partially with the written permission of the test laboratory only.

Test report No.: 21-00082-CP-PR-00
Manufacturer: OKB SP. Z O.O., Poland
Type: OB



TÜV SÜD Auto Service GmbH is designated as Technical Service by:

Approval authority	Country	Registration number
Kraftfahrt-Bundesamt (KBA)	Germany	KBA-P 00100-10
Vehicle Certification Agency (VCA)	United Kingdom	VCA-TS-006
Approval Authority of the Netherlands (RDW)	The Netherlands	RDWT-082-xx
National Standards Authority of Ireland (NSAI)	Ireland	Technical Service Number: 49
Société Nationale de Certification et d'Homologation s.à r.l.	Luxembourg	13/B(g)

München, 05.10.2021



A handwritten signature in blue ink, appearing to read 'Bursík'.

Ing. Vít Bursík
Authorized signatory

Test report No.: 21-00082-CP-PR-00
Manufacturer: OKB SP. Z O.O., Poland
Type: OB



Annex

1. Technical data of the test sample

1.1 Make: MOBIFRAME
1.2 Type: OB
1.2.1. Variant-version: OB-?

"?" – dedicated for the vehicles:

T – Ford Transit, Ford Transit Custom

S – Mercedes-Benz Sprinter 906, Volkswagen Crafter 2E???, Freightliner/Dodge Sprinter

V - Mercedes-Benz Sprinter 907, Sprinter 910, Freightliner/Dodge Sprinter

C – Volkswagen Crafter, MAN TGE

A – Volkswagen T5, Volkswagen T6

F – Fiat Ducato, Peugeot Boxer, Citroen Jumper, RAM ProMaster

O – Renault Trafic, Opel Vivaro, Nissan NV300, Fiat Talento

1.3 Category of vehicle: M1, N1, M2, N2

1.4 Test object: Body of vehicle FIAT Ducato as representative vehicle body with installed MOBIFRAME type OB swivelling platform for driver's and/or passengers seats.

For details

see manufacturer's information folder.

1.4.1. Vehicle types for which is device intended to use: see manufacturer's information document
Enclosure 1

2. Test conditions

2.1. Instrumentation:

- Digital ballance
- Electrohydraulic test device and respective fixtures
- Force measuring chain with load cells
- Interface 1210AF
- Tape rule

2.2. Ambient conditions:

Normal laboratory conditions, not directly limited in Regulation

3. Test results

3.1 Test procedures used (ECE R14):

Strength test of swivelling platform MOBIFRAME type OB strength of safety belt anchorages according to ECE R 14.09 concerning to strength of connection between original seat anchoraes, swivelling platform and original seat.

The below mentioned test results cover all variants including the maximum mass stated in the enclosed information document (seat, seat-to-vehicle anchorages, seat arrangement).

Geometrical requirements are fulfilled; no changes from base vehicle.

3.2 Forward facing seats for M1/N1 vehicles:

3.2.1 MOBIFRAME type OB in FIAT Ducato bodywork.

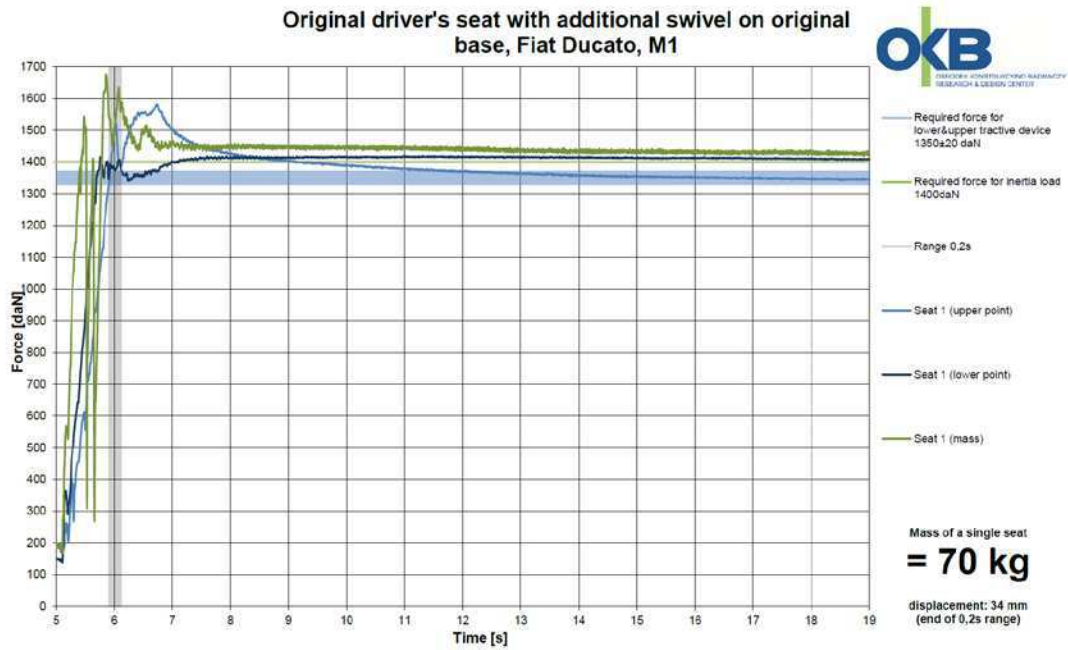
Mass of the seat with leg $m_s = 70$ kg.

Additional force applied $F_z = 20 \times m_s \times g$ (N) as relevant to M1/N1 vehicle category.

Seat	Driver's
Seat adjustment	middle
Safety belt	Ar
Required force in shoulder belt portion	13 500 \pm 200 N
Required force in lap belt portion	13 500 \pm 200 N
Max force in upper anchorage point	14 300 N / > 0,2 s
Max. force in lower anchorage point	14 100 N / > 0,2 s
Required force inertia	14 000 N
Inertia force in the seat base	14 450 N / > 0,2 s
Displacement of upper anchorage point	34 mm
Remark: No rupture occurred.	

Test report No.: 21-00082-CP-PR-00
Manufacturer: OKB SP. Z O.O., Poland
Type: OB

3.3 Test records – diagrams:



3.4 Photos:

Pre-test



Test report No.: 21-00082-CP-PR-00
Manufacturer: OKB SP. Z O.O., Poland
Type: OB



3.4 Photos:

Post-test



4. Place and date of testing

OKB Laboratory, Bukowiec, Poland
16. 12. 2019

Test report No.: 21-00083-CP-PR-00
Manufacturer: OKB SP. Z O.O., Poland
Type: OB



Test report
No.: 21-00083-CP-PRG-00

Test of a type of a vehicle
with regard to ECE Regulation No. **17.00**
taking into consideration amendment No. **17.09, Supplement 1**
Approval subject: **Strength of seats and their anchorages and head restraints**

Approval status	
Granting of a type approval	N/A
Extension/correction to type approval no.	N/A

Test report only.

Test report No.: 21-00083-CP-PR-00
Manufacturer: OKB SP. Z O.O., Poland
Type: OB



I. **General**

Type OB

Name and address of manufacturer OKB SP. Z O.O.
ul. Szkolna 9, Bukowiec
95-006 Brójce
Poland

Reference number of information folder MOBIFRAME/02/2021-00

Date of issue of information folder 28.09.2021

II. **Test results**

Refer to the Annex

III. **Enclosures**

Information Folder

IV. **Statement of conformity**

The mentioned information folder and the type described therein are in accordance with the test basis mentioned above. Sampling plan or method result from the requirements of the test basis. The worst-case configuration was selected in accordance with process description "Requirements for Test Reports (AS-PB-T-02)". Valid decision rule in accordance with ILAC G8:2019, 4.2.1: in question of meeting the limits the measurement uncertainty was ignored.

The manufacturer is responsible for the information (III.) and the test specimens provided by him. The test results relate only to the test specimens as received and mentioned (II.). The test specimens are representative for the type described (III.).

The test report may be reproduced and published in full and by the client only. It can be reproduced partially with the written permission of the test laboratory only.

Test report No.: 21-00083-CP-PR-00
Manufacturer: OKB SP. Z O.O., Poland
Type: OB



TÜV SÜD Auto Service GmbH is designated as Technical Service by:

Approval authority	Country	Registration number
Kraftfahrt-Bundesamt (KBA)	Germany	KBA-P 00100-10
Vehicle Certification Agency (VCA)	United Kingdom	VCA-TS-006
Approval Authority of the Netherlands (RDW)	The Netherlands	RDWT-082-xx
National Standards Authority of Ireland (NSAI)	Ireland	Technical Service Number: 49
Société Nationale de Certification et d'Homologation s.à r.l.	Luxembourg	13/B(g)

München, 05.10.2021




Ing. Vit Bursík
Authorized signatory

Test report No.: 21-00083-CP-PR-00
Manufacturer: OKB SP. Z O.O., Poland
Type: OB



Annex

1. Technical data of the test sample

1.1 Make: MOBIFRAME
1.2 Type: OB
1.2.1. Variant-version: OB-?

"?" – dedicated for the vehicles:

T – Ford Transit, Ford Transit Custom

S – Mercedes-Benz Sprinter 906, Volkswagen Crafter 2E???, Freightliner/Dodge Sprinter

V - Mercedes-Benz Sprinter 907, Sprinter 910, Freightliner/Dodge Sprinter

C – Volkswagen Crafter, MAN TGE

A – Volkswagen T5, Volkswagen T6

F – Fiat Ducato, Peugeot Boxer, Citroen Jumper, RAM ProMaster

O – Renault Trafic, Opel Vivaro, Nissan NV300, Fiat Talento

1.3 Category of vehicle: M1, N1, M2, N2

1.4 Test object: Body of vehicles VW T6 and FIAT Ducato as representative vehicles body with installed MOBIFRAME type OB swivelling platform for driver's and/or passengers seats.

For details

see manufacturer's information folder.

1.4.1. Vehicle types for which is device intended to use: see manufacturer's information document
Enclosure 1

2. Test conditions

2.1. Instrumentation:

- Digital ballance
- Dynamic sled test rig
- Accelerometre
- High speed camera

2.2. Ambient conditions:

Normal laboratory conditions, not directly limited in Regulation

3. Test results

3.1 Test procedures used (ECE R17):

Dynamic test of strength of seat anchorages, adjustment and displacement mechanisms according to ECE R17.09 par. to 5.2.5, 5.2.6. and 6.3 and Annex 9 (corridor) with focus on swivelling platform MOBIFRAME type OB.

The below mentioned test results cover all variants including the maximum mass stated in the enclosed information document (seat, seat-to-vehicle anchorages, seat arrangement).

3.2 Forward facing seats for M1/N1 vehicles:

3.2.1 MOBIFRAME type OB in VW T6 bodywork – frontal impact

Test speed and achieved deceleration

	Requirement	Measured
Impact speed v_0	$50^{+0} -2$ km/h	49,8
Acceleration	corridor	OK – see 3.3

3.2.2 Results

Paragraph of the regulation ECE 17.09 marked in *italics*

5.2.5	There was no failure of the swivel unit, seat frame or seat anchorage, adjustment and displacement systems or their locking devices during the test
5.2.6	There was no release of the locking systems during the tests

3.2.2 MOBIFRAME type OB in FIAT Ducato bodywork – rear impact

Test speed and achieved deceleration

	Requirement	Measured
Impact speed v_0	50 ⁺⁰ -2 km/h	49,9
Acceleration	corridor	OK – see 3.3

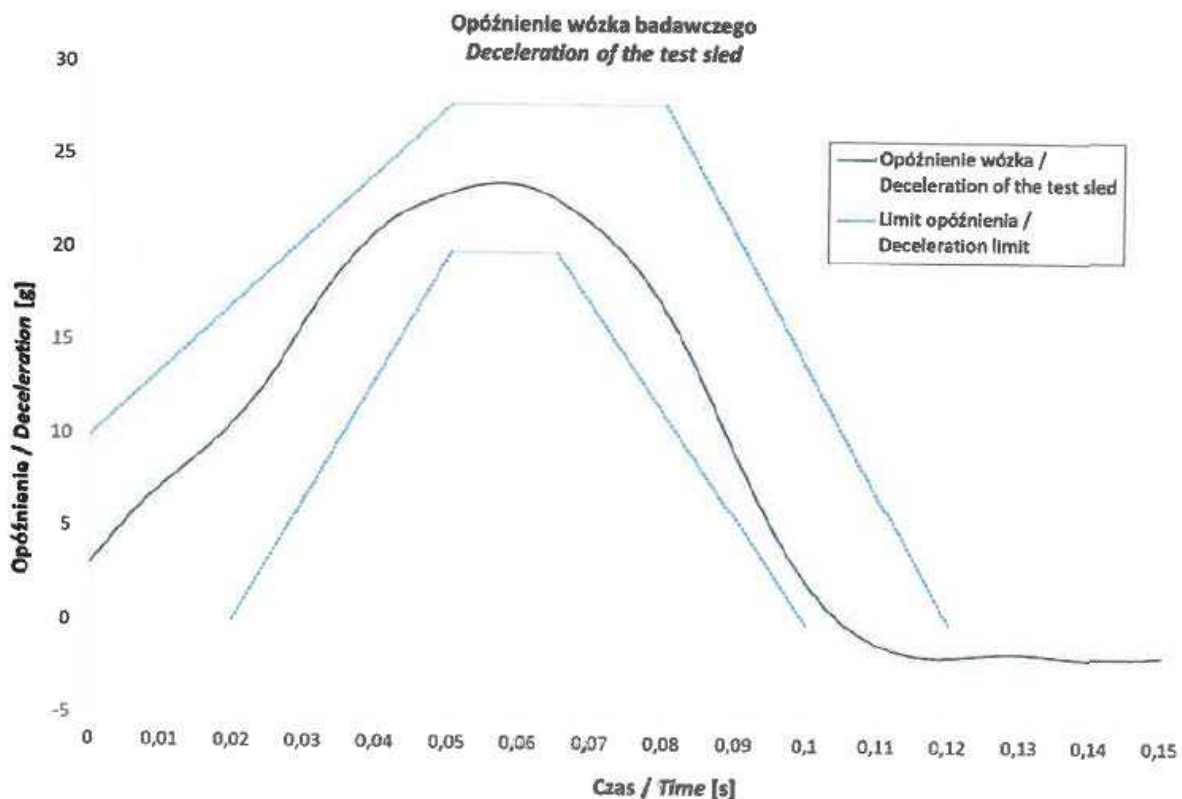
3.2.2 Results

Paragraph of the regulation ECE 17.09 marked in *italics*

5.2.5	There was no failure of the swivel unit, seat frame or seat anchorage, adjustment and displacement systems or their locking devices during the test
5.2.6	There was no release of the locking systems during the tests

3.3 Test records – diagrams:

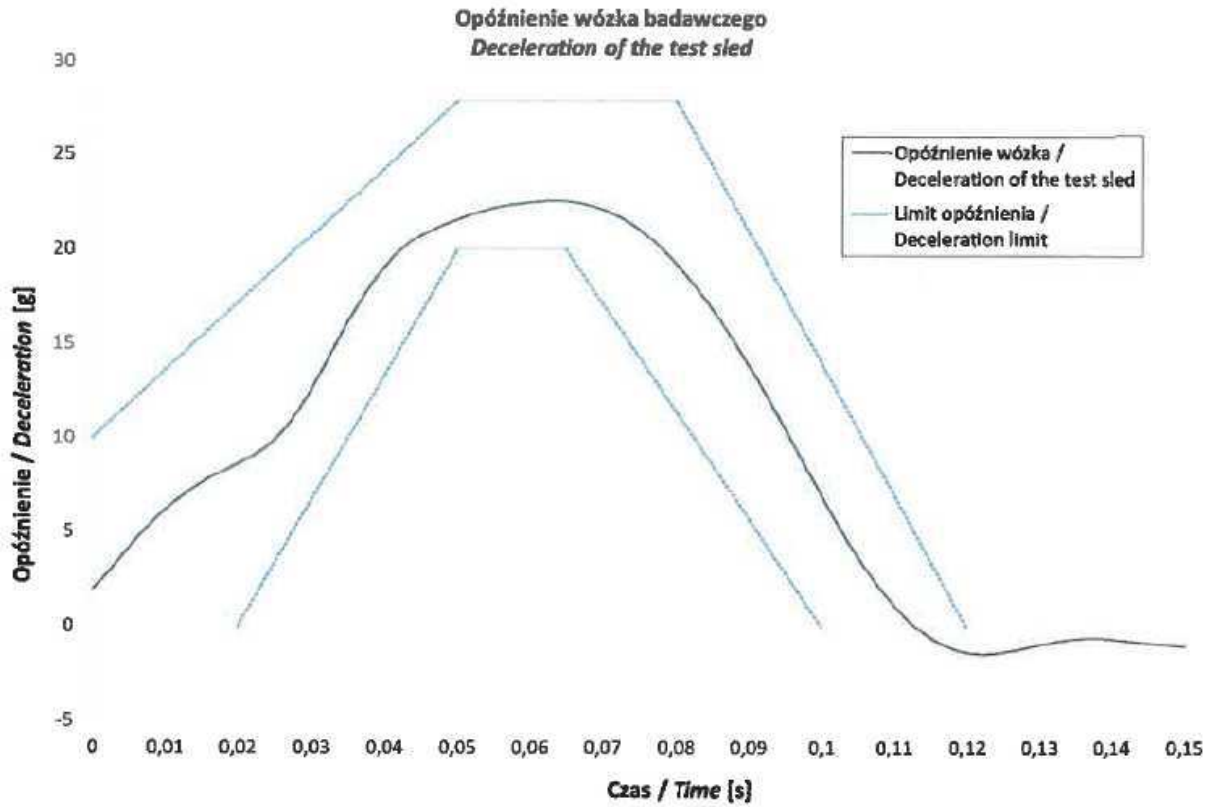
VW T6 – frontal impact



Test report No.: 21-00083-CP-PR-00
Manufacturer: OKB SP. Z O.O., Poland
Type: OB



FIAT Ducato – rearward impact



4. Place and date of testing

PIMOT Laboratory, Warsaw, Poland
27. 9. 2021

INFORMATION FOLDER / DOCUMENT:
MOBIFRAME/02/2021-00

PURSUANT TO UN/ECE REGULATIONS
No. 14-09
“UNIFORM PROVISIONS CONCERNING THE APPROVAL OF VEHICLES WITH
REGARD TO SAFETY-BELT ANCHORAGES“

FOR THE SEATS EQUIPPED WITH SWIVEL *MOBIFRAME*
TYPE *OB*

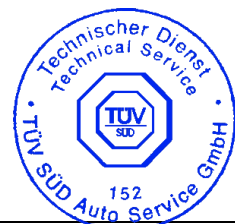
No. 17-09
“UNIFORM PROVISIONS CONCERNING THE APPROVAL OF VEHICLES WITH
REGARD TO THE SEATS, THEIR ANCHORAGES AND ANY HEAD RESTRAINTS”

FOR THE SEATS EQUIPPED WITH SWIVEL *MOBIFRAME*
TYPE *OB*



.....
Damian Goliński
Vice President

Total number of pages: 19
Date of issue: 28.09.2021



		Date: 28.09.2021
	MOBIFRAME/02/2021-00	Page / pages: 1/19

List of documentation and supplements

Confirmation	3
0. General.....	4
1. General construction characteristics of the vehicle	5
9. Bodywork.....	5

List of enclosures

Table of vehicles types	Enclosure 1
Seats and seat belt anchorages	Enclosure 2
Seat anchorages	Enclosure 3



	Date: 28.09.2021
MOBIFRAME/02/2021-00	Page / pages: 2/19

Confirmation

We hereby declare that the vehicle specimens submitted for this approval test have been manufactured and assembled on conditions of ordinary mass production and that they are compatible with the enclosed documentation.

Date of issue: 28th September 2021

D. Goliński

.....
Damian Goliński
Vice President



		Date: 28.09.2021
	MOBIFRAME/02/2021-00	Page / pages: 3/19

0. GENERAL

0.1 Make (trade name of manufacturer): MOBIFRAME

0.2 Type: OB

Variant/Version:

OB-?

”?” – dedicated for the vehicles:

T – Ford Transit, Ford Transit Custom

S – Mercedes-Benz Sprinter 906,
Volkswagen Crafter 2E???,
Freightliner/Dodge Sprinter

V - Mercedes-Benz Sprinter 907, Sprinter
910, Freightliner/Dodge Sprinter

C – Volkswagen Crafter, MAN TGE

A – Volkswagen T5, Volkswagen T6

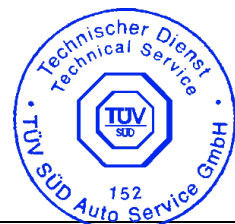
F – Fiat Ducato, Peugeot Boxer, Citroen
Jumper, RAM ProMaster

O – Renault Trafic, Opel Vivaro, Nissan
NV300, Fiat Talento

0.2.1 Dedicated for vehicle(s): See Enclosure 1

0.4 Category of vehicle: M1, N1, M2, N2

0.5 Name and address of manufacturer: OKB SP. Z O.O.
ul. Szkolna 9, Bukowiec
95-006 Brójce
Poland



		Date: 28.09.2021
	MOBIFRAME/02/2021-00	Page / pages: 4/19

1. GENERAL CONSTRUCTION CHARACTERISTICS OF THE VEHICLE
- 1.1 Photographs and/or drawings of a representative vehicle: See base vehicle approvals listed in Enclosure 2

9. BODYWORK

- 9.1 Type of bodywork using the codes set out in Part C of Annex II of Directive 2007/46/EC or in Part C of Annex I to Regulation (EU) 2018/858: AC, AF, BB, BX, CA, SA, SH
- 9.10 Interior arrangement
- 9.10.3 Seats
- 9.10.3.1 Number of seating positions: 1 or 2 (driver and/or passenger)
- 9.10.3.1.1 Location and arrangement: 1st row of seats (in driver's cab)
- 9.10.3.2 Seat(s) designated for use only when the vehicle is stationary: N/A
- 9.10.3.3 Mass:
Mass of original driver's/passenger seat and base with additional swivel MOBIFRAME OB – 70 kg (allowable mass in the heaviest configuration)

Vehicle(-s)	Maximum mass of original driver's/passenger seat with base	Mass of additional swivel (mounted between original driver's/passenger seat and seat base)
Ford Transit Ford Transit Custom	39 kg	15 kg
MB Sprinter (906) Volkswagen Crafter (2E???) MB Sprinter (907) MB Sprinter (910) Freightliner/Dodge Sprinter	40 kg	
Volkswagen Crafter, MAN TGE	49,8 kg	
Volkswagen T5 Volkswagen T6	40 kg	
Fiat Ducato, Citroën Jumper Peugeot Boxer, Ram ProMaster	40,7 kg	
Renault Trafic, Opel Vivaro Nissan NV300, Fiat Talento	38,4 kg	

Details – see Enclosures



		Date: 28.09.2021
	MOBIFRAME/02/2021-00	Page / pages: 5/19

9.10.3.4	Characteristics: for seats not type-approved as components, description and drawings of	
9.10.3.4.1	The seats and their anchorages:	See base vehicle approvals listed in Enclosure 2 and Enclosure 3
9.10.3.4.2	The adjustment system:	See base vehicle approvals listed in Enclosure 2
9.10.3.4.3	The displacement and locking systems:	See listed base vehicle approvals and description in Enclosure 2
9.10.3.4.4	The seat-belt anchorages (if incorporated in the seat structure):	See base vehicle approvals listed in Enclosure 2
9.10.3.4.5	The parts of the vehicle used as anchorages:	See base vehicle approvals listed in Enclosure 2
9.10.3.5	Coordinates or drawing of the R-point	
9.10.3.5.1	Driver's seat:	See base vehicle approvals listed in Enclosure 2
9.10.3.5.2	All other seating positions:	See base vehicle approvals listed in Enclosure 2
9.10.3.6	Design torso angle	
9.10.3.6.1	Driver's seat:	See base vehicle approvals listed in Enclosure 2
9.10.3.6.2	All other seating positions:	See base vehicle approvals listed in Enclosure 2
9.10.3.7	Range of seat adjustment	
9.10.3.7.1	Driver's seat:	See base vehicle approvals listed in Enclosure 2
9.10.3.7.2	All other seating positions:	See base vehicle approvals listed in Enclosure 2
9.10.4.	Head restraints	
9.10.4.1.	Type(s) of head restraints:	See base vehicle approvals listed in Enclosure 2
9.10.4.2.	Type-approval number(s), if available:	See base vehicle approvals listed in Enclosure 2
9.10.4.3.	For head restraints not yet approved	See base vehicle approvals listed in Enclosure 2
9.13	Safety belt anchorages	
9.13.1	Photographs and/or drawings of the bodywork showing the position and dimensions of the actual and effective anchorages including the R-points:	See base vehicle approvals listed in Enclosure 2 and Enclosure 3



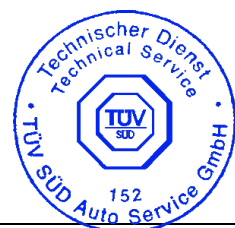
		Date: 28.09.2021
	MOBIFRAME/02/2021-00	Page / pages: 6/19

9.13.2 Drawings of the belt anchorages and parts of the vehicle structure where they are attached (with the material indication): See base vehicle approvals listed in Enclosure 2

9.13.3 Designation of the types of safety belt authorised for fitting to the anchorages with which the vehicle is equipped:

	Anchorage location	
	Vehicle structure	Seat structure
First row of seats	See base vehicle approvals listed in Enclosure 2	See base vehicle approvals listed in Enclosure 2

9.13.4 Description of a particular type of safety belt where an anchorage is located in the seat backrest or incorporates an energy dissipating device: See base vehicle approvals listed in Enclosure 2



		Date: 28.09.2021
	MOBIFRAME/02/2021-00	Page / pages: 7/19

Enclosure 1: TABLE OF VEHICLES TYPES

Manufacturer	Commercial description / Type	Wheelbase
Daimler / Mercedes-Benz	Sprinter (906, 907)	3250, 3665, 4325
	Sprinter (910)	3259, 3924
	Vito/Viano/V-klasse (639, 639/2, 639/4)	3200, 3430
VW	Crafter (2E_)	3250, 3665, 4325
	Crafter (SYN__ e.g. SYN1E, SYN2E, SYN2Z)	3640, 4490
	T5 (7H_, 7E_, 7J_)	3000, 3400
	T6, T6.1 (7H_, 7E_, 7J_)	3000, 3400
Citroen	Jumper (Y)	3000, 3450, 4035
Peugeot	Boxer (Y)	3000, 3450, 4035
Fiat	Ducato (250)	3000, 3450, 4035
	Talento (FJL, FFL)	3098, 3498
Opel	Vivaro (F7)	3098, 3498
Renault	Trafic (FL, L)	3098, 3498
	Trafic 2014 (JL, L)	3098, 3498
Ford	Transit (FC_)	3300, 3750, 3954
	Transit Custom (FA_, FC_)	2933, 3300
Nissan	NV300, Primastar	3098, 3498
MAN	TGE (SYN__ e.g. SYN1E, SYN2E, SYN2Z)	3640, 4490
Freightliner/Dodge	Sprinter	3250, 3665, 4325
RAM	ProMaster	3000, 3450, 4035



		Date: 28.09.2021
	MOBIFRAME/02/2021-00	Page / pages: 8/19

Enclosure 2: SEATS AND SEATBELTS ANCHORAGES

Driver's and single passenger seat is equipped with additional swivel, which allows to lock the seat in forward- or rearward-facing direction (180 degrees). Swivel is mounted between original driver's/passenger seat and seat base. Details of seat and base construction in type approvals according to ECE R14 and ECE R17 presented in table below.

Vehicle(-s)	Number of type approval according to (1 st stage of production)		Max mass of original driver's/passenger seat with base
	ECE R14	ECE R17	
Ford Transit Ford Transit Custom	E1 14R07/08 0732 E1 14R07/07 0708	E1 17R08/02 0889 E1 17R08/03 0864	39 kg
MB Sprinter (906) Volkswagen Crafter (2E???) MB Sprinter (907) MB Sprinter (910) (Freightliner/Dodge Sprinter)	E1 14R-07 0516 E1 14R-07 0524 E1 14R07/08 0832 E1 14R07/08 0832	E1 17RA-08 0530 E1 17RA-08 0546 E1 17R08/04 0982 E1 17R08/04 0982	40 kg
Volkswagen Crafter MAN TGE	E4 14R-07 0735 E4 14R 070740	E4 17RA-08 0653 E4 17RA 080659	49,8 kg
Volkswagen T5 Volkswagen T6	E4 14R 070097	E4 17RA 080112	40 kg
Fiat Ducato Citroën Jumper Peugeot Boxer (Ram ProMaster)	E3 14R-07 3133 E3 14R07 2047 E3 14R07 2046	E3 17RA-08 2953 E3 17RA08 2053 E3 17RA08 2052	40,7 kg
Renault Trafic Opel Vivaro Nissan NV300 Fiat Talento	E2 14R07/08 1010 E2 14R07 1012 E2 14R07 1011 E2 14R07 15047	E2 17R08/04 1011 E2 17R08 1013 E2 17R08 1012 E2 17R08 15045	38,4 kg

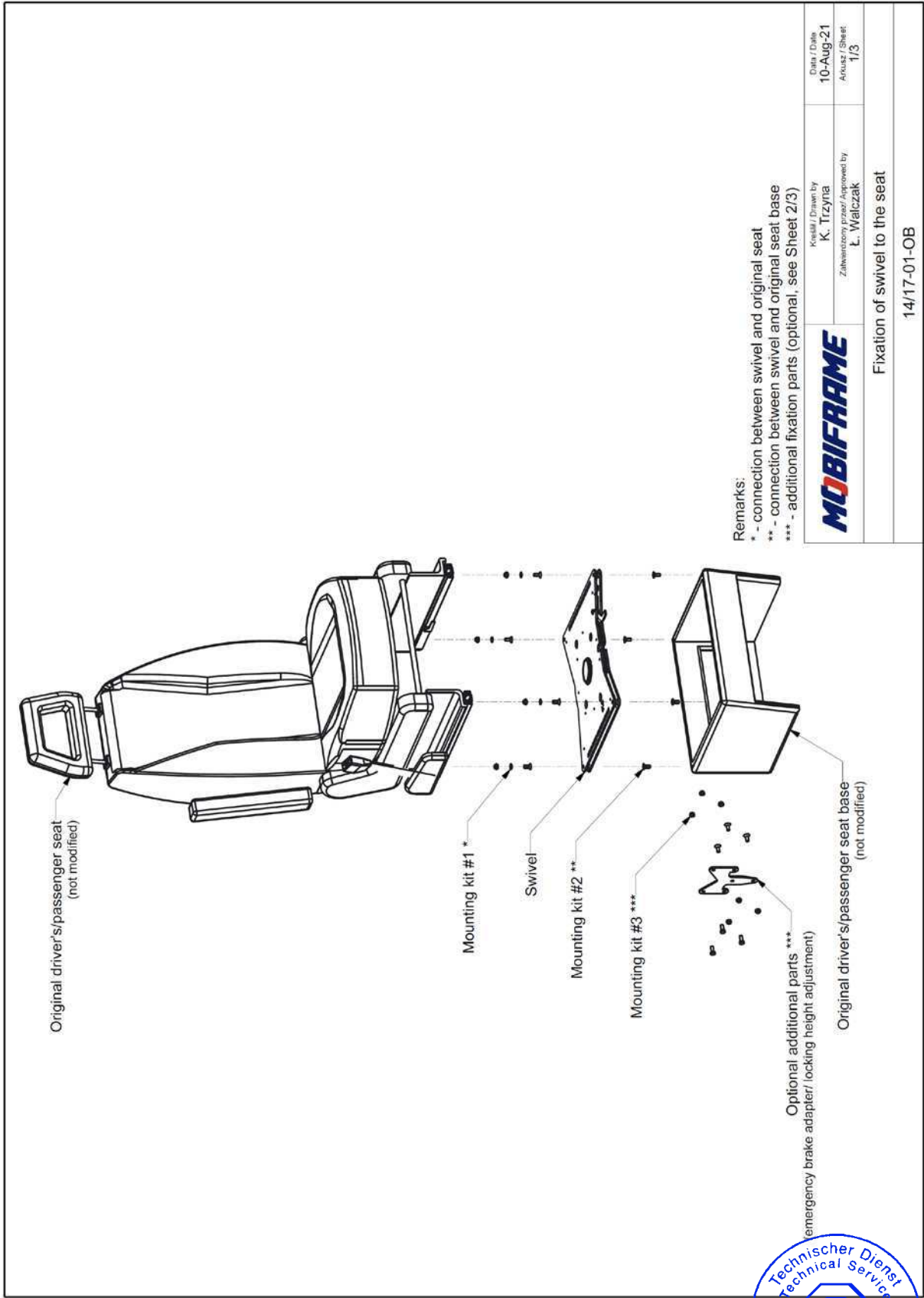
Swivel can be locked only in forward-facing direction when the vehicle is in motion and in forward- or rearward-facing direction when the vehicle is stationary.

Anchorage points of seat base to the vehicle floor are the same both before and after swivel installation.



	Date: 28.09.2021
MOBIFRAME/02/2021-00	Page / pages: 9/19

Enclosure 3: SEAT ANCHORAGES



Remarks:

- * - connection between swivel and original seat
- ** - connection between swivel and original seat base
- *** - additional fixation parts (optional, see Sheet 2/3)

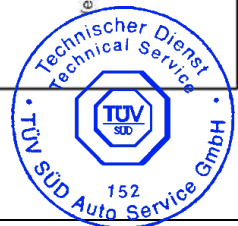


Kresła / Drawn by
K. Trzyna
Zatwierdzony przez / Approved by
L. Wójcik

Data / Date
10-Aug-21
Arkusz / Sheet
1/3

Fixation of swivel to the seat

14/17-01-OB



		Date: 28.09.2021
	MOBIFRAME/02/2021-00	Page / pages: 10/19

VEHICLE	SIDE	MOUNTING KIT #1	MOUNTING KIT #2	MOUNTING KIT #3
Ford Transit Transit Custom	Driver	4x DIN 7991 Bolt M8x20-10.9 4x ISO 7092 Washer M8 4x DIN 985 Self-locking Nut M8	4x DIN 7991 Bolt M8x20-8.8	3x DIN 7991 Bolt M8x20-10.9 3 x DIN 933 Bolt M8x20-8.8 6x Din 985 Self-locking Nut M8
	Passenger	4x DIN 7991 Bolt M8x20-10.9 4x ISO 7092 Washer M8 4x DIN 985 Self-locking Nut M8	4x DIN 7991 Bolt M8x20-8.8	-
Mercedes-Benz Sprinter 906 Volkswagen Crafter 2E???	Driver	4x DIN 7991 Bolt M10x20-10.9 4x Din 985 Self-locking Nut M10	4x DIN 7991 Bolt M10x20-10.9	2x DIN 7991 Bolt M10x20-10.9 2 x DIN 933 Bolt M10x20-8.8
	Passenger	4x DIN 7991 Bolt M10x20-10.9 4x Din 985 Self-locking Nut M10	4x DIN 7991 Bolt M10x20-10.9	-
Mercedes-Benz Sprinter 907 Sprinter 910 Freightliner/Dodge Sprinter	Driver	4x DIN 7991 Bolt M10x25-10.9 4x Din 985 Self-locking Nut M10	4x DIN 7991 Bolt M10x35-10.9	2x DIN 7991 Bolt M10x20-10.9 2 x DIN 933 Bolt M10x20-8.8
	Passenger	4x DIN 7991 Bolt M10x25-10.9 4x Din 985 Self-locking Nut M10	4x DIN 7991 Bolt M10x35-10.9	-
Volkswagen Crafter MAN TGE (SY???)	Driver	4x DIN 7380 Bolt M10x20-10.9 2x DIN 125 Washer M10	4x DIN 7991 Bolt M10x25-10.9	1x DIN 603 Bolt M6x40 - 8.8
	Passenger	4x DIN 7380 Bolt M10x20-10.9 2x DIN 125 Washer M10	4x DIN 7991 Bolt M10x25-10.9	1x DIN 603 Bolt M6x40 - 8.8
Volkswagen T5/T6	Driver	4x DIN 7991 Bolt M8x20-10.9 4x Din 985 Self-locking Nut M8	2x original seat base bolt M8 4x original seat base nut M8 2x DIN 7991 Bolt M8x20-10.9	2x DIN 933 Bolt M8x25-8.8 2x ISO 4032 Nut M8
	Passenger	4x DIN 7991 Bolt M8x20-10.9 4x Din 985 Self-locking Nut M8	2x original seat base bolt M8 4x original seat base nut M8 2x DIN 7991 Bolt M8x20-10.9	-
Fiat Ducato Citroën Jumper Peugeot Boxer Ram ProMaster	Driver	6x DIN 7991 Bolt M8x35-10.9 6x Din 985 Self-locking Nut M8	6x DIN 7991 Bolt M8x20-10.9	-
	Passenger	6x DIN 7991 Bolt M8x35-10.9 6x Din 985 Self-locking Nut M8	6x DIN 7991 Bolt M8x20-10.9	-
Renault Traffic Opel Vivaro Nissan NV300 Fiat Talento	Driver	4x DIN 7991 Bolt M10x18 -10.9 4x ISO 4032 Nut M10	4x DIN 7991 Bolt M10x60 -10.9	1x DIN 933 Bolt M8x20 - 8.8 1x DIN 933 Bolt M3x16 - 8.8 1x ISO 7040 Nut M8 1x ISO 7040 Nut M4
	Passenger	4x DIN 7991 Bolt M10x18 -10.9 4x ISO 4032 Nut M10	4x DIN 7991 Bolt M10x25 -10.9	-



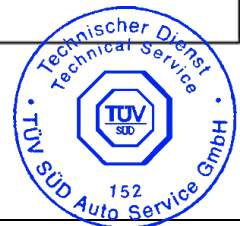
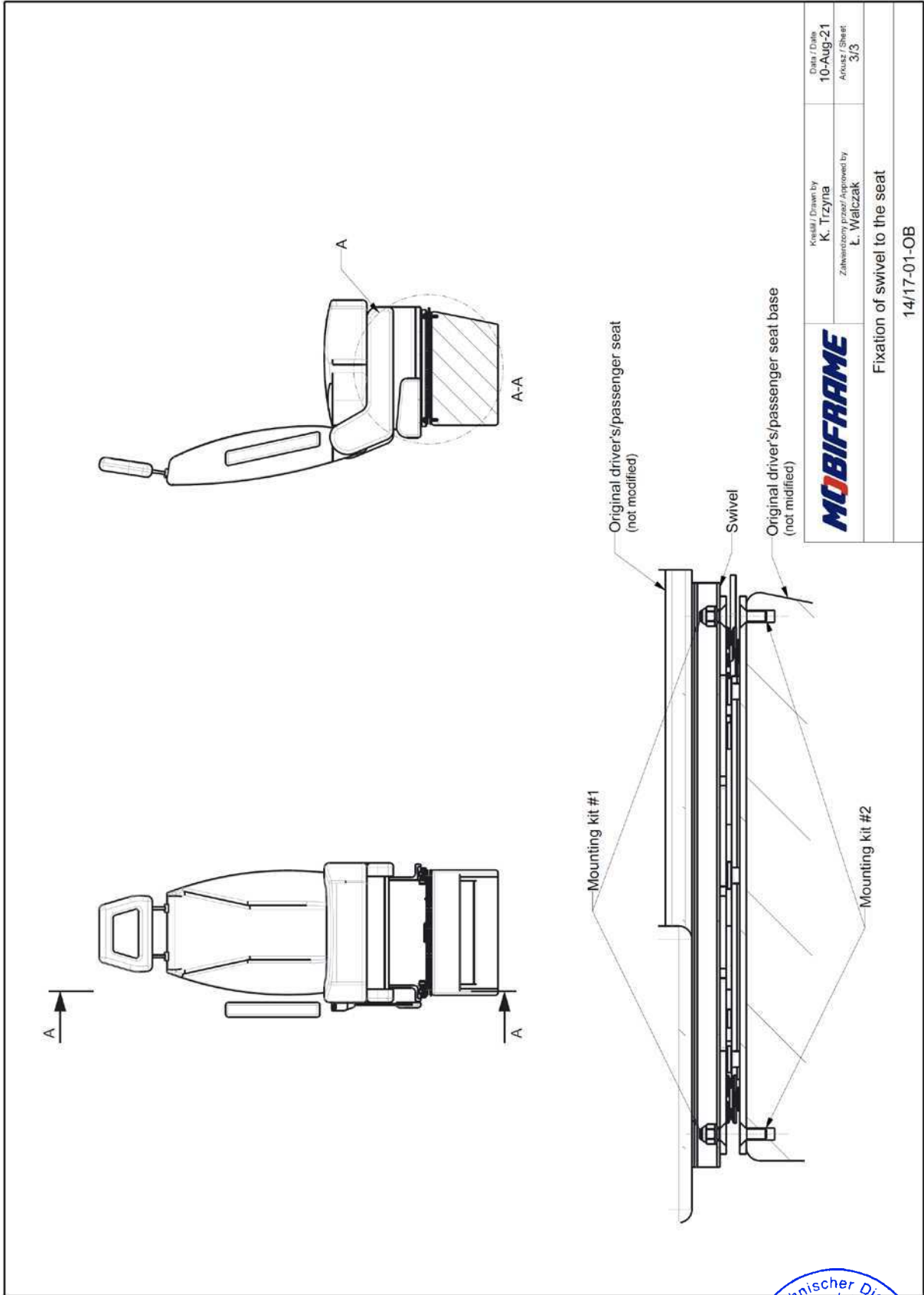
Created / Drawn by
K. Trzyna
Zatwierdzony przez / Approved by
L. Walczak

Date / Date
10-Aug-21
A-kusz / Sheet
2/3

Fixation of swivel to the seat

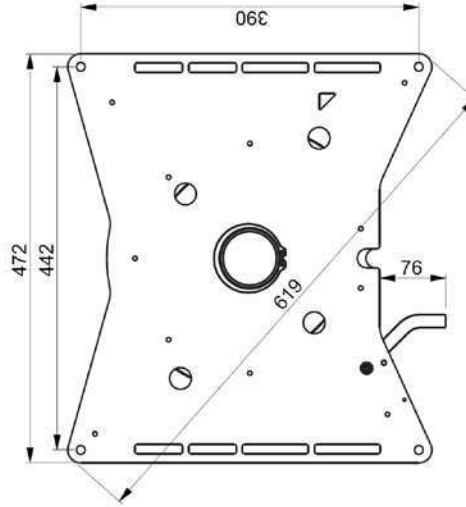
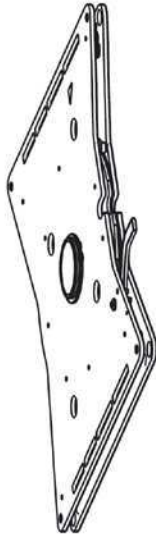
14/17-01-OB



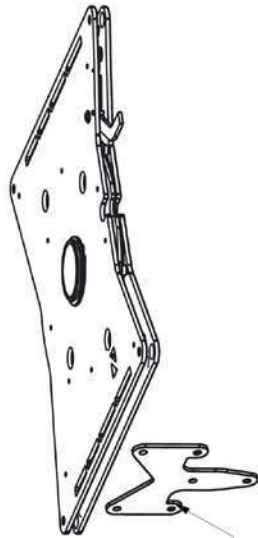


		Date: 28.09.2021
	MOBIFRAME/02/2021-00	Page / pages: 12/19

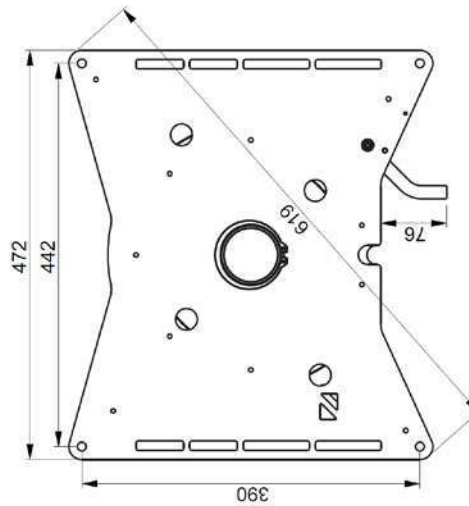
Passenger seat swivel



Driver's seat swivel



Optional additional part



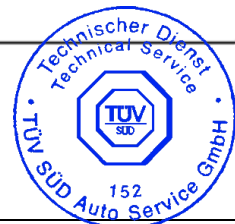
MOBIFRAME

Kresła / Drawn by
K. Trzyna
Zatwierdzony przez / Approved by:
L. Wajczak

Data / Date
10-Aug-21
Koszt / Sheet:
1/1

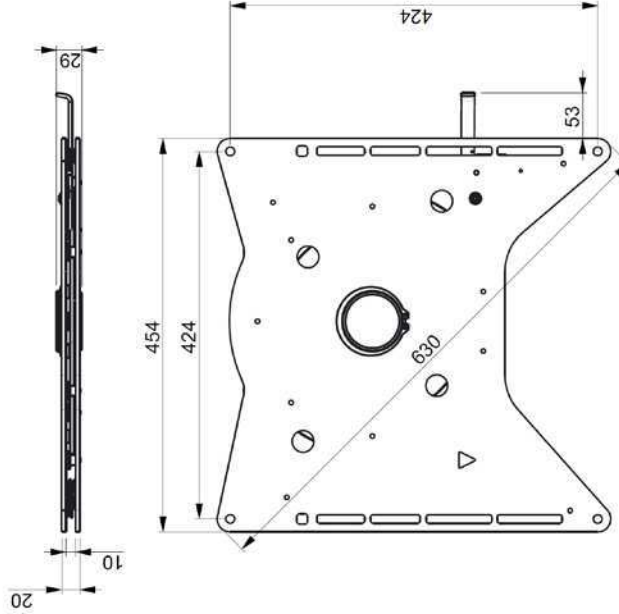
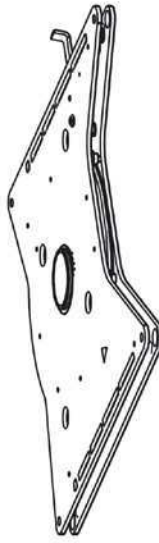
Driver's and passenger swivel for Ford Transit, Transit Custom

14/17-02-0B-T

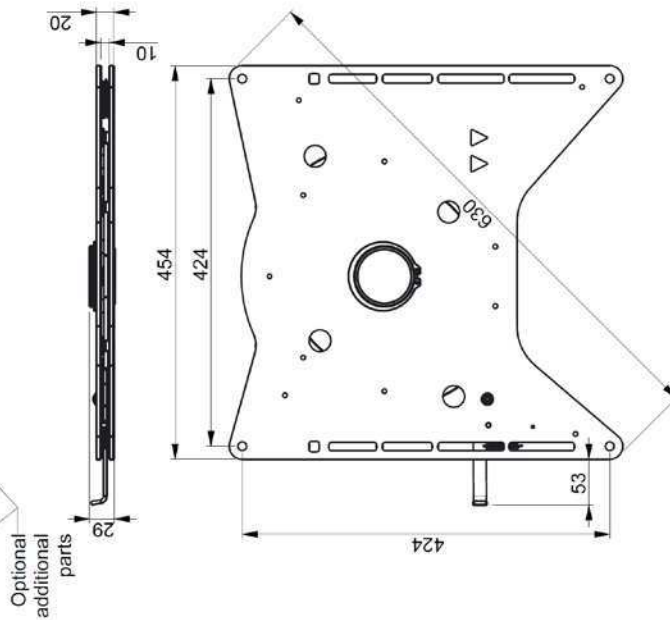
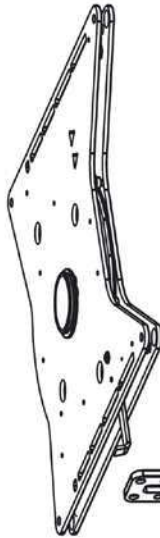


		Date: 28.09.2021
	MOBIFRAME/02/2021-00	Page / pages: 13/19

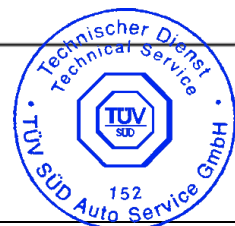
Passenger seat swivel



Driver's seat swivel

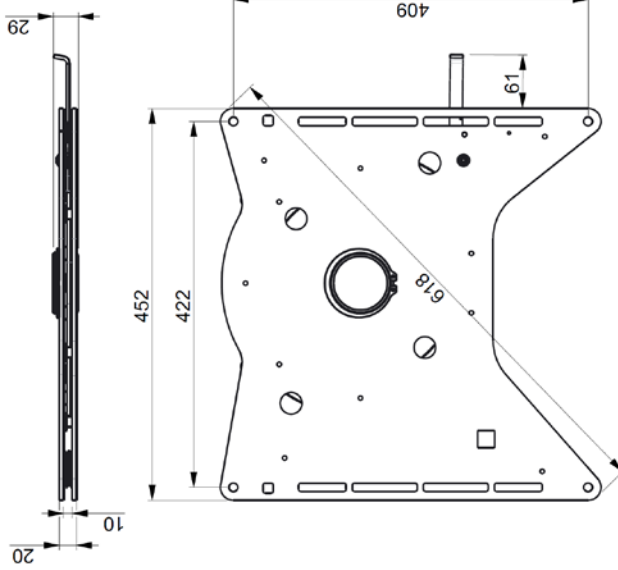


MOBIFRAME	Kresła / Drawn by K. Trzyna	Data / Date 12-Aug-21
	Zatwierdzony przez/Approved by L. Walczak	Konusz / Sheet 1/1
Driver's and passenger swivel for Mercedes-Benz Sprinter 906, Volkswagen Crafter 2E???, Freightliner/Dodge Sprinter		
14/17-02-OB-S		



		Date: 28.09.2021
	MOBIFRAME/02/2021-00	Page / pages: 14/19

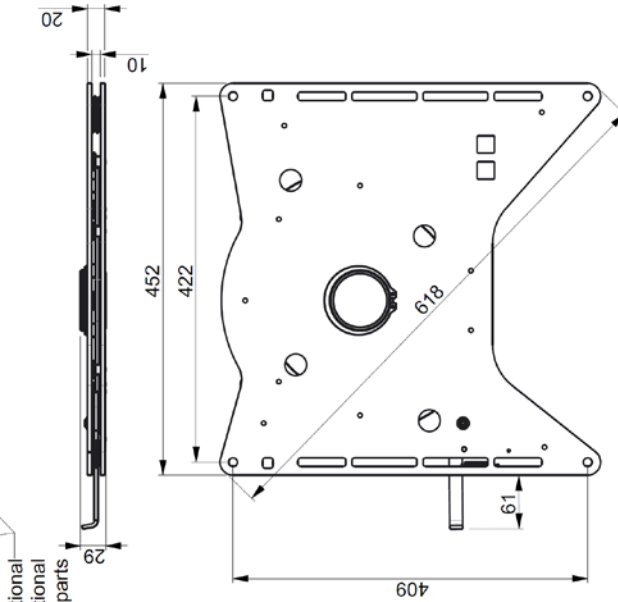
Passenger seat swivel



Driver's seat swivel



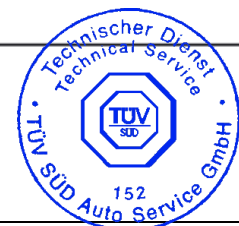
Optional additional parts



Kresła / Drawn by
K. Trzyna
Zatwierdzony przez/Approved by
L. Walczak

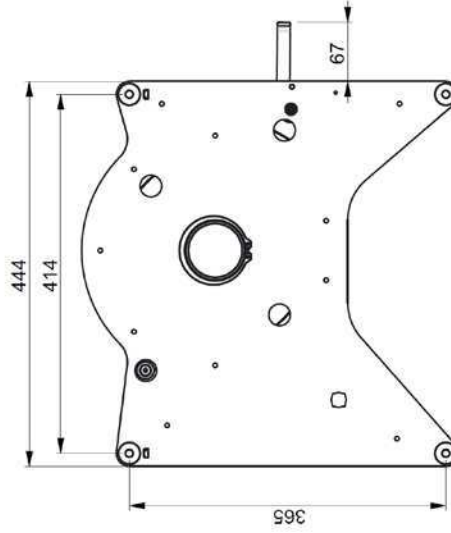
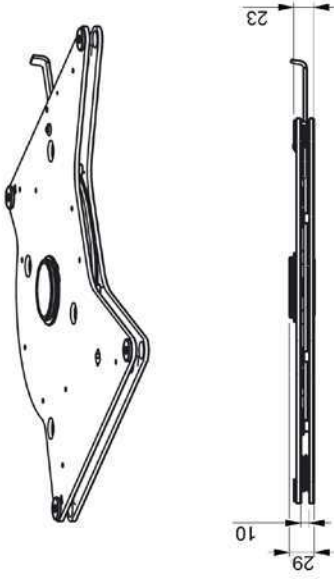
Data / Date
12-Aug-21
Arkusz / Sheet
1/1

Driver's and passenger swivel for Mercedes-Benz Sprinter 907, Sprinter 910, Freightliner/Dodge Sprinter
14/17-02-OB-V

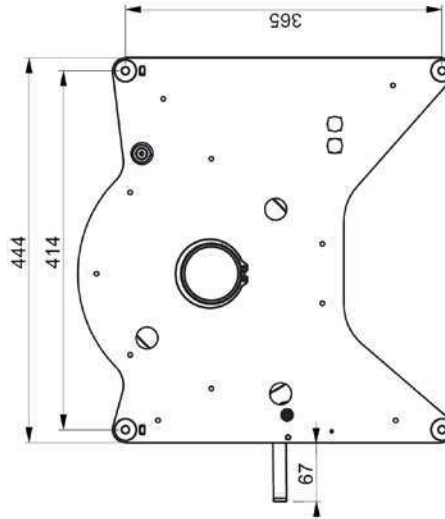
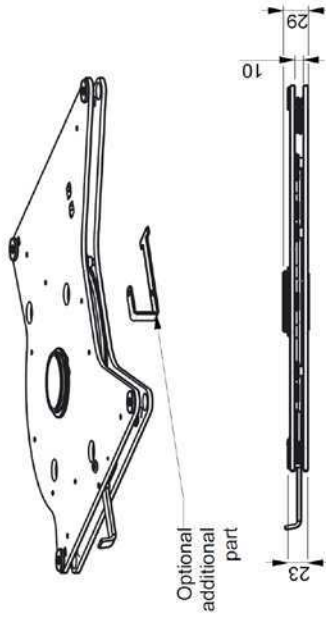


		Date: 28.09.2021
	MOBIFRAME/02/2021-00	Page / pages: 15/19

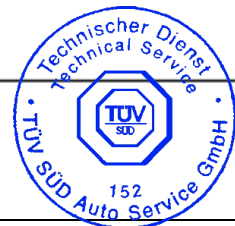
Passenger seat swivel



Driver's seat swivel

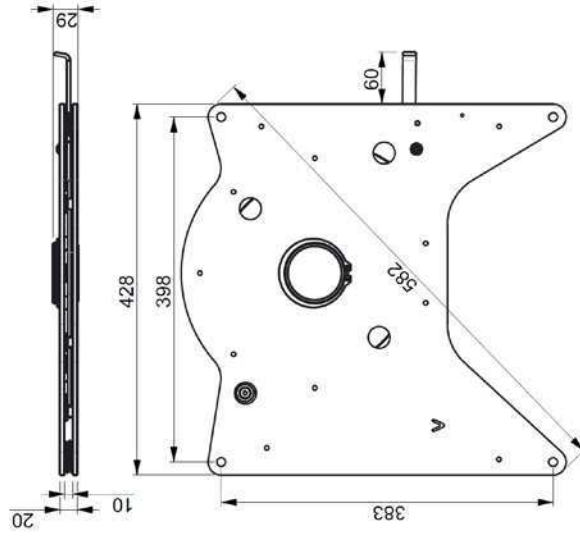
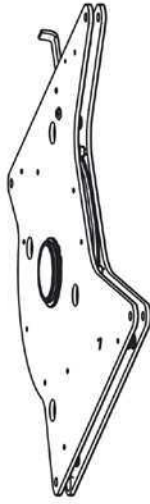


MOBIFRAME	Kresła / Drawn by K. Trzyna	Data / Date 12-Aug-21
	Zatwierdzony przez / Approved by L. Walczak	Aruszy / Sheet 1/1
Driver's and passenger swivel for Volkswagen Crafter, MAN TGE (SY???)		
14/17-02-OB-C		

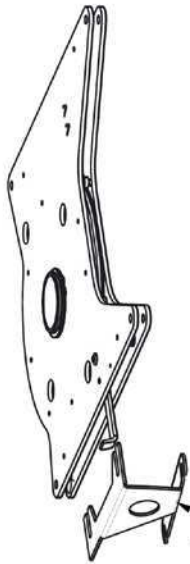


		Date: 28.09.2021
	MOBIFRAME/02/2021-00	Page / pages: 16/19

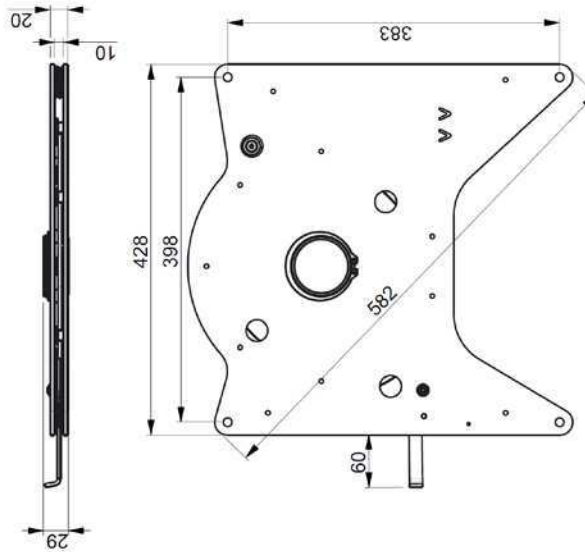
Passenger seat swivel



Driver's seat swivel



Optional additional part



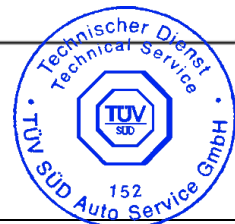
MOBIFRAME

Kresła / Drawn by
K. Trzyna
Zatwierdzony przez/Approved by:
L. Walczak

Data / Date
13-Aug-21
Koszt / Sheet
1/1

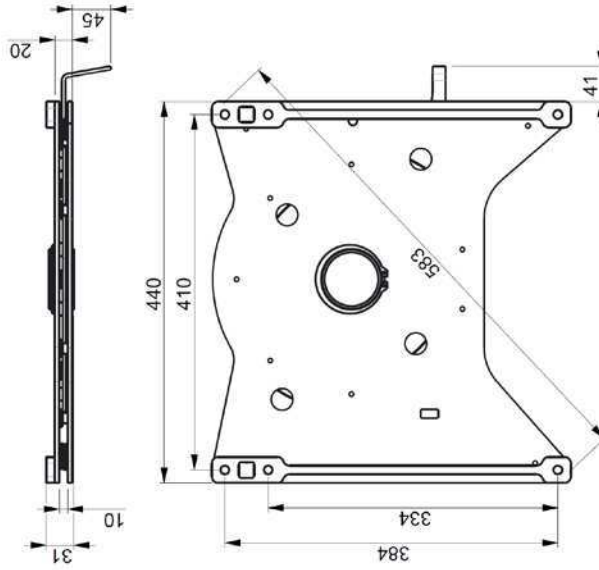
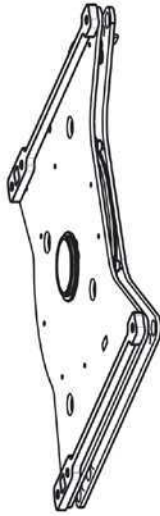
Driver's and passenger swivel for Volkswagen T5 and T6

14/17-02-0B-A

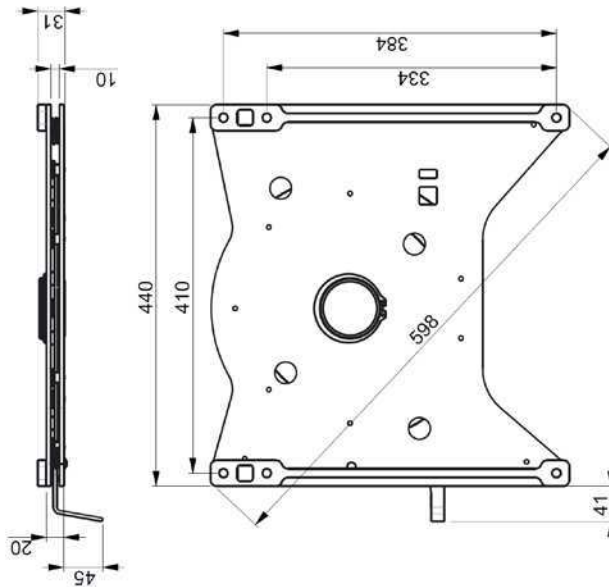
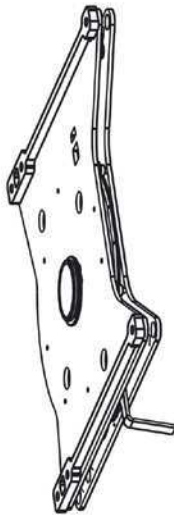


		Date: 28.09.2021
	MOBIFRAME/02/2021-00	Page / pages: 17/19

Passenger seat swivel



Driver's seat swivel



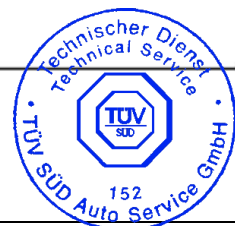
MOBIFRAME

Kreiert / Drawn by
K. Trzyna
Zatwierdzony przez / Approved by
L. Walczak

Data / Date
12-Aug-21
A-kusz / Sheet
1/1

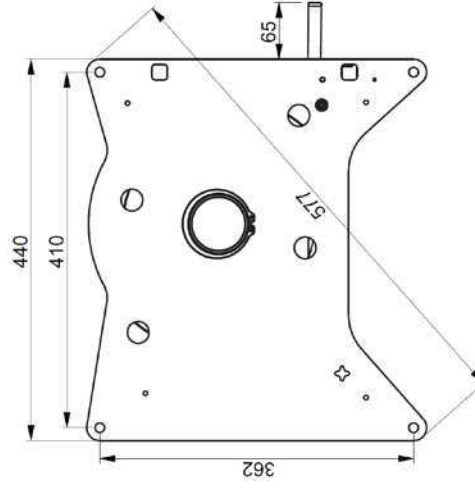
Driver's and passenger swivel for Fiat Ducato, Peugeot Boxer, Citroën Jumper, RAM ProMaster

14/17/02-OB-F

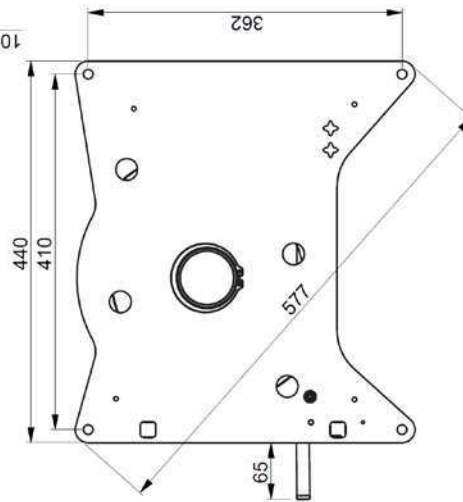
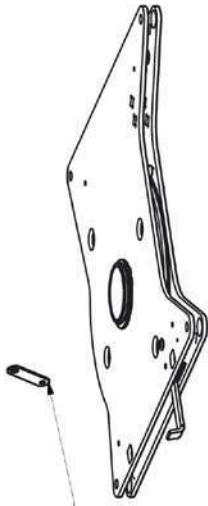


		Date: 28.09.2021
	MOBIFRAME/02/2021-00	Page / pages: 18/19

Passenger seat swivel



Driver's seat swivel



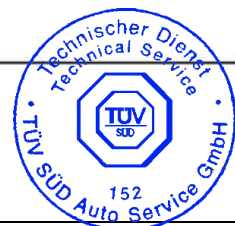
MOBIFRAME

Kraj/Drawn by
K. Trzyna
Zatwierdzony przez/Approved by
L. Waliczak

Data / Date
12-Aug-21
Akcja / Sheet
1/1

Driver's and passenger swivel for Renault Trafic, Opel Vivaro, Nissan NV300, Fiat Talento

14/17-02-OB-0



		Date: 28.09.2021
	MOBIFRAME/02/2021-00	Page / pages: 19/19